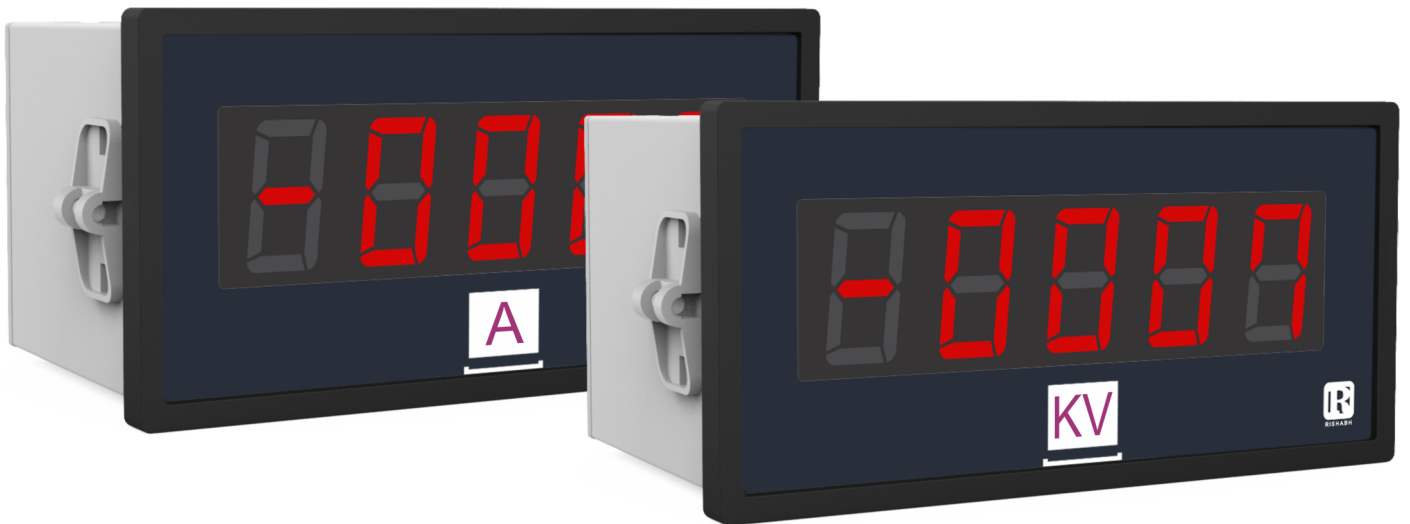




Data Sheet

RISH DPM

72 X 144 - 1 Phase 4½ Digit (ACI/ACV)



Measure



Control



Record



Analyze

Data Sheet

RISH DPM

72 X 144 - 1 Phase 4½ Digit (ACI/ACV)



Application:

The digital panel meters RISH DPM 72 X 144 1 PH. 4½ ACI/ACV have been designed for industrial applications, which frequently require precise and on-site adjustment of the display range.

It can be used in industrial automation and for laboratory uses.

Description:

RISH DPM 72 X 144 1PH. 4½ ACI/ACV :

DPM 72X144 4½ ACI	1 PH. AC current measurement
DPM 72X144 4½ ACV	1 PH. AC voltage measurement

Specifications:

Display:

Display range	: 19999
Decimal point position	: Selectable by short links at the rear side of display.
Digit height	: 26mm / 7 - segment digits.
Overload indication	: Last 4 digits blank. (1)

Features:

- ☞ AC Current ranges and AC Voltage ranges available.
- ☞ 4 ½ Digit ultra bright Display with 26mm digit height.
- ☞ User defined caption.
- ☞ Various auxillary power supply ranges are available.
- ☞ Maximum Display Count : 19999.
- ☞ Resolution : 0.0001 to 1 count depending on the range.
- ☞ Highly adaptable DPMs suitable for a wide range of measuring applications.

☞ The chosen input range is user adjustable, from 10% to 100% of the full-scale value for AC Current and AC Voltage, for simple adaptation of the digital readout to the input value.

Applicable Regulations and Standards

Protection Class	IP 20 to IEC EN 60 529
Front	IP 50
Device safety	IEC EN 61 010
EMC immunity	IEC/ EN 61 000-4-1 to 4
EMC radiated interference	IEC/ EN 61326 Class B



Measure



Control



Record



Analyze

Technical Specifications:

Measuring ranges:

[Max. Overload 20% of full-scale range value]

Model	RISH DPM 72 X 144 1 PH. 4½ ACI
AC Current Ranges Available	0...1A [45...65 Hz] or 0...1A [400 Hz] or 0...5A [45...65 Hz] or 0...5A [400 Hz]

Model	RISH DPM 72 X 144 1 PH. 4½ ACV
Voltage Ranges Available	0...110 V [45...65 Hz] or 0...110 V [400 Hz] or 0...240 V [45...65 Hz] or 0...240 V [400 Hz] or 0...500 V [45...65 Hz] or 0...500 V [400 Hz]

Accuracy

RISH DPM 72 x 144 1 PH. 4½ ACI :

Measuring Accuracy Current	: < 1% of range ±1 digit (Optional: 0.5% of range ±1 digit)
Nominal Input Current Burden	: < 0.2 VA approx.
Temperature coefficient	: 300 ppm / °C.
Zero point drift	: 200 ppm / °C.
Range adjustment span	: from 10% to 100% of range.

RISH DPM 72 X 144 1 PH. 4½ ACV :

Measuring Accuracy Volts	: < 1% of range ±1 digit (Optional: 0.5% of range ±1 digit)
Nominal Input Voltage Burden	: < 0.3 VA approx.
Temperature coefficient	: 300 ppm / °C.
Zero point drift	: 200 ppm / °C.
Range adjustment span	: from 10% to 100% of range.

Power supply

5 ranges for power supply are available.

Direct voltage DC	: 24 V DC (+/- 15%) / 110 V DC (+ 10% / -15%) / : 220 V DC (+10 % / -15%)
VA Burden Alternating voltage AC	: 5.5W approx. (Isolated) : 110 V AC (+ 10% / -15%) / 230 V AC (+10 % / -15%)
VA Burden Frequency	: 5.5VA approx. (Isolated) : 47- 60 Hz.



Measure



Control



Record



Analyze

Data Sheet

RISH DPM

72 X 144 - 1 Phase 4½ Digit (ACI/ACV)

Environmental conditions

Climatic class	: Class 2 to VDE / DIN 3540.
Operating temperature	: 0 ... 55 °C.
Storage temperature	: -25 °C ... +65 °C.
Safety class	: II to IEC 348 / VDE 0411.
IP Protection	: IEC EN 60 529. For Back : IP 20. Front : IP 50 (IP 54 on request)
Device safety	: According to IEC EN 61 010.
High Voltage Test	: For AC Aux. : 2 kV AC, 50 Hz for 1 minute. For DC Aux. : 1 kV AC, 50 Hz for 1 minute.
EMC immunity	: According to IEC / EN 61 000-4-1 up to 4.
EMC radiated interference	: According to IEC / EN 61326 class B.

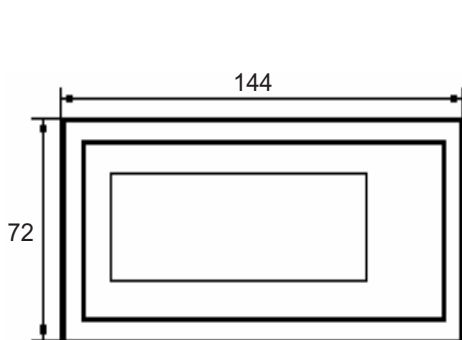
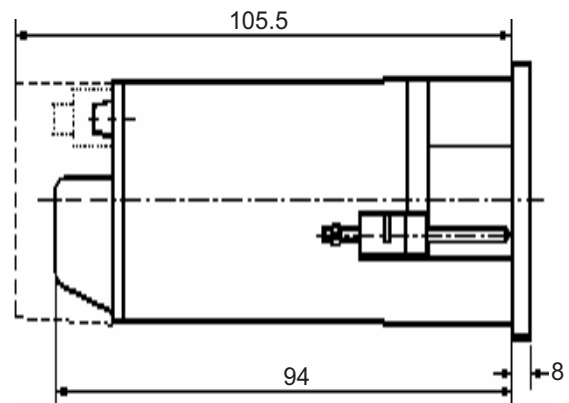
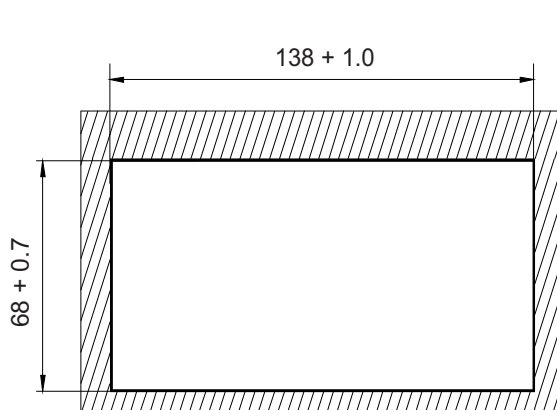
Dimensions and Weights

Bezel size	: 72 mm x 144 mm DIN 43 700
Panel cut-out	: 68 +0.7 mm x 138 + 1.0 mm
Overall depth	: 94 mm.
Weight	: 500 gm. Approx.

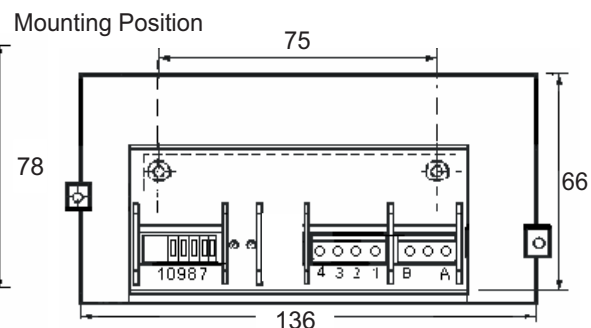
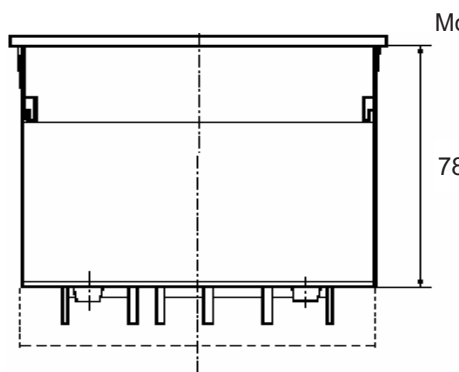
Sundry

Connections	: Plug-in screw terminal blocks.
-------------	----------------------------------

Design & Installation



Installation cut-out



Measure



Control



Record



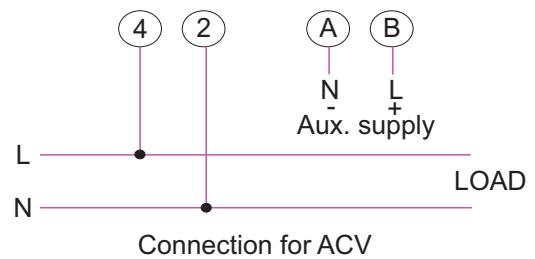
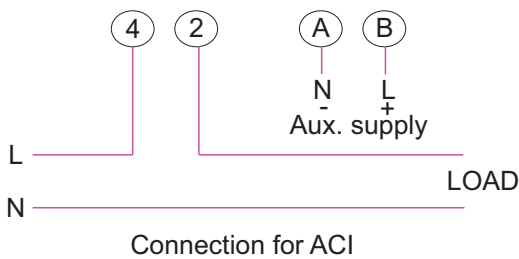
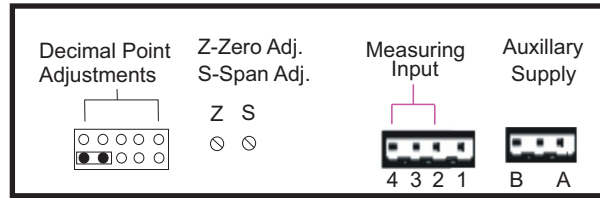
Analyze

Data Sheet

RISH DPM

72 X 144 - 1 Phase 4½ Digit (ACI/ACV)

Connection Diagram :



Decimal Point Adjustment :

Decimal point position is selectable by short links at the rear side.

Short Link Position					
Decimal point position on display	XXXXX	X.XXXX	XX.XXX	XXX.XX	XXXX.X

Order Details :

Type:
 Measuring Input:
 Display Full-Scale:
 Display caption:
 Aux. Supply :

Example 1
 RISH DPM 72 X 144 1 PH. 4½ ACI
 0 ... 1 A[45-65 Hz]
 0 ... 19999
 A
 24V DC.

Example 2
 RISH DPM 72 X 144 1 PH. 4½ ACV
 0.....110 V[45-65 Hz]
 0..... 19999
 V
 230V AC, 50 Hz



Measure



Control



Record



Analyze



RISHABH

All specifications are subject to change without notice



Measure



Control



Record



Analyze

RISHABH INSTRUMENTS PVT. LTD.

Domestic (India): +91 253 2202028/99 | marketing@rishabh.co.in

International: +91 253 2202004/06/08/99 | global@rishabh.co.in

www.rishabh.co.in