



Data Sheet

RI 301 ATS



Measure



Control



Record



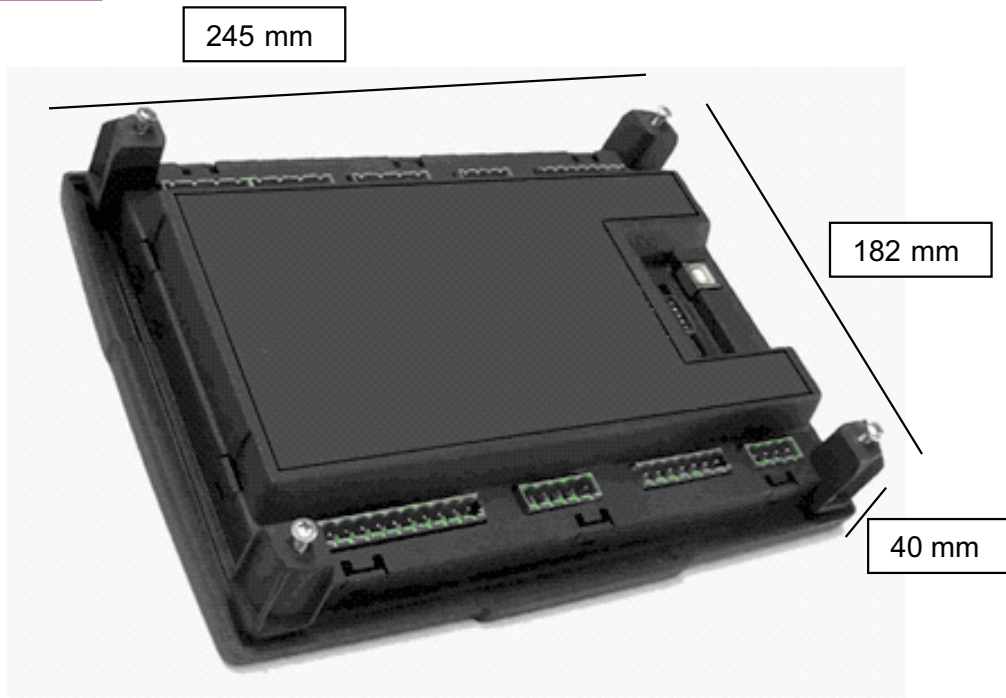
Analyze

RI 301 ATS is a Auto Transfer Switch (ATS) Genset controller aimed at giving high performance and benefits. The graphic display is a user-friendly human interface useful for an immediate visualization of measures and alarms coming from the genset.

Product Features:

- ☞ RS232 - Rs485 independent serial interfaces
- ☞ Digital / Analog inputs and outputs programmable from the keyboard
- ☞ Help service page, with visualization of the status of inputs and outputs
- ☞ Events log with upto 250 events
- ☞ Voltages and Currents on the same display page
- ☞ Remote start with closure of the generator contactor even with mains present
- ☞ Timer Start / Stop for programmed work cycles
- ☞ Smart auto setup systems
- ☞ Easy programming and navigation
- ☞ Fast and easy updating of the maintenance hours

Dimension Details:



Measure



Control



Record



Analyze

Operation Modes:**Automatic Mode**

- ✓ Push the AUT button to select this functioning mode.
- ✓ In case of mains failure the remote start output (J5.4) is activated and de-activated in the presence of the same. This is the standard logic. Its also possible to activate the remote start output in special conditions.

Manual Mode

- ✓ The engine can be started and stopped manually by pressing start and stop key buttons; load switching on mains and generator is managed using buttons KG and KR.
- ✓ Press the MAN button to select this functioning mode.

Test ModeManual test:

- ✓ Press the TEST button: the engine starts immediately to test the genset for a programmable time.
- ✓ Disabling the test (or after the test time), the controller returns to the previous operation mode.
- ✓ Push the TEST button to select this functioning mode.

Automatic test:

- ✓ If you programmed an automatic test, it will run only if you are in automatic mode.

Reset Mode

- ✓ If you select Reset mode, the alarms are reset and the engine stops immediately if it is working. If the cause of the alarm remains, it is not possible reset the alarm.
- ✓ Push the RESET button to select this functioning mode.

Alarms

- ✓ In case of alarm, the display shows its description. For each alarm it is available a message that can help to identify the source of the problem.
- ✓ The alarm reset can be made by pressing the RESET button; by this, the alarm is deleted and the genset goes in Reset mode, preventing accidental generator starting attempts.
- ✓ If the alarm, after reset, still remains on the display, the cause of the alarm is not removed.



Measure



Control

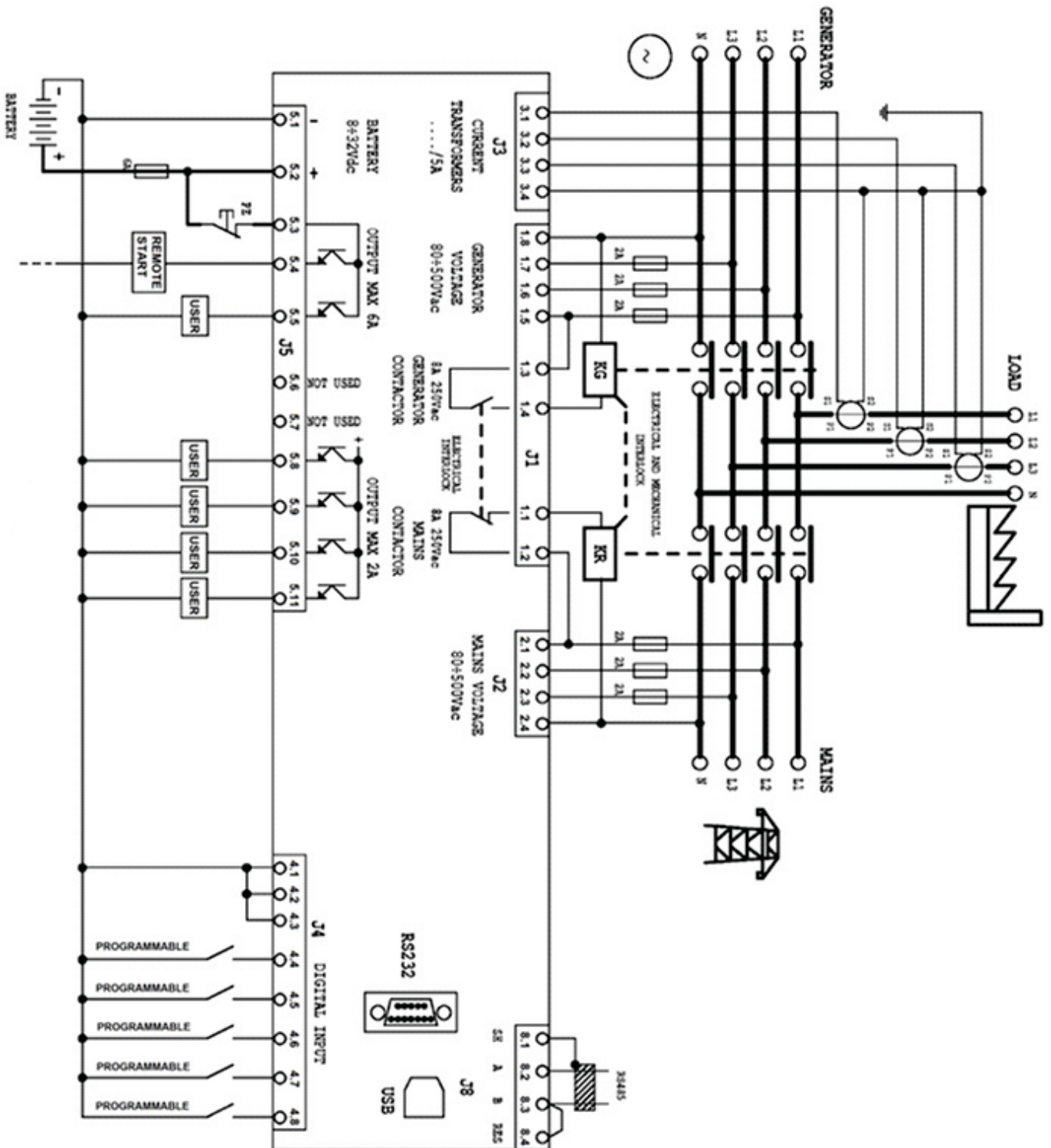


Record



Analyze

Electrical Installation:



Measure



Control

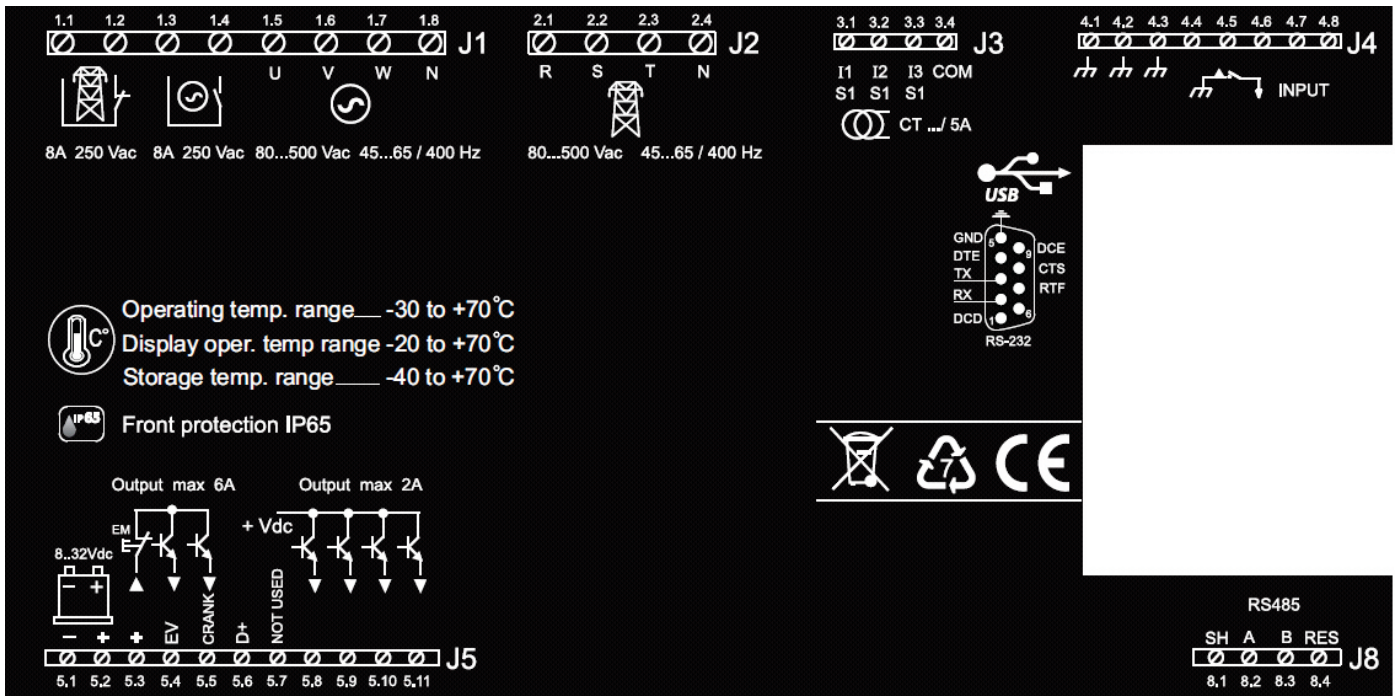


Record



Analyze

Connections:



J1 – Genset AC voltage and contactors

- 1.1 - Mains contactor output (NC)
- 1.2 - Mains contactor output (NC)
- 1.3 - Genset contactor output (NO)
- 1.4 - Genset contactor output (NO)
- 1.5 - Genset voltage phase 1
- 1.6 - Genset voltage phase 2
- 1.7 - Genset voltage phase 3
- 1.8 - Neutral

J4 – Digital inputs

- 4.1 - Gnd
- 4.2 - Gnd
- 4.3 - Gnd
- 4.4 – Programmable digital input (Low coolant level)
- 4.5 – Programmable digital input (Ground protection alarm)
- 4.6 – Programmable digital input (Remote start)
- 4.7 – Programmable digital input (Remote stop)
- 4.8 – Programmable digital input (Load contactor open)

J2 – Mains AC voltage

- 2.1 - Mains voltage phase 1
- 2.2 - Mains voltage phase 2
- 2.3 - Mains voltage phase 3
- 2.4 - Neutral

J5 – Supply and Outputs

- 5.1 - Battery negative
- 5.2 - Battery positive
- 5.3 - Common positive for fuel valve and start output (Emergency stop alarm input)
- 5.4 - Fuel valve output
- 5.5 - Start engine output
- 5.6 - Battery charger alternator output (D+)
- 5.7 - Not used
- 5.8 - Programmable output (Global alarm #1)
- 5.9 – Programmable output (Glow plugs)
- 5.10 – Programmable output (Siren)
- 5.11 – Programmable output (Electro solenoid)

J3 – Genset AC current

- 3.1 - Genset current I1
- 3.2 - Genset current I2
- 3.3 - Genset current I3
- 3.4 - CT common

J8 - RS485 port

- 1- Shield
- 2- A
- 3- B
- 4- Termination resistor

Rs232 - Communication ports

- RS232 - connection of a remote device



Measure



Control



Record



Analyze

Hardware Ratings:**General Characteristics**

Rated Voltage (Vdc)	12 Vdc (24 Vdc)
Allowed (Vdc)	6 Vdc to 33 Vdc
Rated Voltage (Vac)	400 Vac
Allowed (Vac)	Upto 500 Vac
Allowed Frequency	From 45 to 75 Hz
Max Consumption with Backlit	250 mA
Temperature Range	-30 to +70°C (electric) -20 to +70°C (display) -40 to +70°C (storage)
Front Protection	IP65
Display	128 x 64 pixel, 66 x 33 mm

Digital Inputs

No	5
----	---

Static Output

No	6 (2 x 4A; 4 x 2A)
----	--------------------

Serial Communication Interface

Interface Type	Serial RS-232
Cable Length	< 3m
Baud Rate	115200 bps
Interface Type	RS485
Baud Rate	115200 bps

Contactors Relays

No of Outputs	2
Type of Contacts	1 NO (Genset Contactor), 1 NC (Mains Contactor)
Contacts Capacity	8A / 250 Vac

Load Currents Input

No	3
Measure Range	Upto 5A
Precision	< 1% FS + 1 digit

Voltage Inputs

No	8
Input Type	Resistive Coupling
Rated Voltage	230 Vac L-N, 400 Vac L-L
Measure Range	TRMS from 0-300 Vac L-N, 0-500 Vac L-L
Precision	< 1% FS + 1 digit

Active Power Measure

Measure Type	Instant Power Integration
--------------	---------------------------

Hardware

No of Keys	13
No of LEDs	10



Measure



Control



Record



Analyze

Standards:

1. EN55011
2. EN55016-2-1
3. EN55016-2-3
4. EN60068-2-1
5. EN60068-2-2
6. EN60068-2-27
7. EN60068-2-30
8. EN60068-2-6
9. EN61000-4-2
10. EN61000-4-3
11. EN61000-4-4
12. EN61000-4-5
13. EN61000-4-6
14. EN61000-4-8
15. EN61000-6-2
16. EN61000-6-4
17. HBV Bureau Veritas NR320

Ordering Information:

Ordering information	Ordering Code
RISH Genset Controller RI301 Auto Transfer Switch	RI 301 ATS



Measure



Control



Record



Analyze



RISHABH



Measure



Control



Record



Analyze

RISHABH INSTRUMENTS PVT. LTD.

Trishala Unit, C-6, NICE Area, MIDC, Satpur, Nashik - 422007, India.

Tel: +91 253 2202371 / 028 | Fax: +91 253 2351064 | E-mail: marketing@rishabh.co.in | www.rishabh.co.in